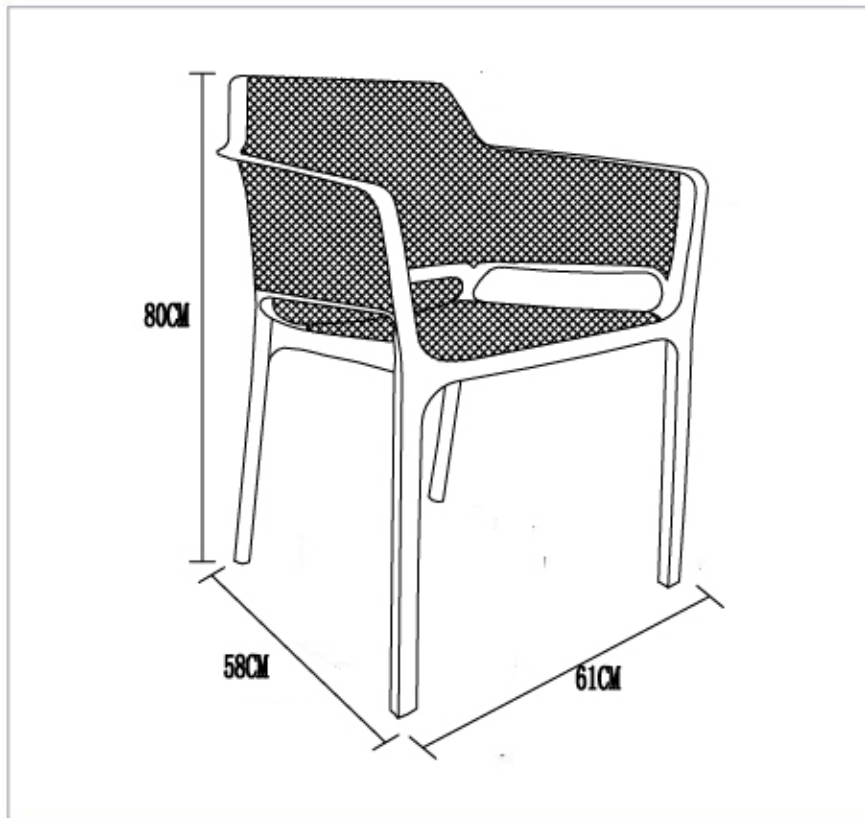




ASSEMBLY INSTRUCTION
ZANA OUTDOOR CHAIR
ITEM CODE 75301

Imported by Amart Furniture Pty Ltd, Qld, Brisbane Australia.
For any assistance with assembly or for missing parts please phone
Amart Furniture, Customer Service Free call 1800 351 084



Imported by Amart Furniture Pty Ltd, Qld, Brisbane Australia.
For any assistance with assembly or for missing parts please phone
Amart Furniture, Customer Service Free call 1800 351 084

CARE AND MAINTENANCE

Product Care for Outdoor Polypropylene

- This product is designed for use outdoors, however we do not recommend leaving this product outside when not in use.
- To preserve the life of this item avoid prolonged exposure to the elements and store inside/under cover or use an appropriate outdoor furniture cover.
- Leaving your furniture to experience extreme cold/heat may result in the furniture becoming brittle.
- DO NOT stand on this furniture
- Ensure that children are supervised by an adult when using this product.
- If you need to clean the product please follow the instruction below:
 - Use a mild detergent diluted in water and wipe clean with a damp cloth
 - DO NOT use boiling water
 - Ensure that the product is wiped dry prior to use

CHAIR AND STOOLS

- Do not use:
- Use chair/stool as a ladder
- Climb on the chair/stool
- Stand on the foot-rest of the chair, as this could lead to the stool becoming unbalanced and overturning